

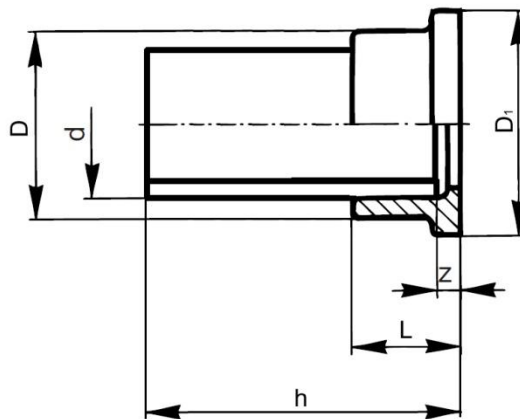


Description:

Flat flange adapter prepared for electro fusion welding for usage in Flexalen PB systems with backing rings or union nut and additional gasket sealing (GF-BUNDBUxx-SEAL).

Technical details:

Material:	PB-1 (Polybutene)
Dimensions:	O.D. 20 – 110 mm
Assembly:	See welding instructions.
	Prepared for ELECTRO FUSION WELDING



Product code	d [mm]	weight [kg]	L [mm]	D [mm]	D1 [mm]	z [mm]	h [mm]
GF-BUNDBU20	20	0.017	20	27	34	5	67
GF-BUNDBU25	25	0.023	23	33	41	5	73
GF-BUNDBU32	32	0.036	25	41	50	5	75
GF-BUNDBU40	40	0.060	27	50	61	5	83
GF-BUNDBU50	50	0.092	30	61	73	5	88
GF-BUNDBU63	63	0.146	33	76	90	5	93
GF-BUNDBU75	75	0.292	35	90	106	4	153
GF-BUNDBU90	90	0.471	42	106	125	6	167
GF-BUNDBU110	110	0.745	49	131	150	7	180